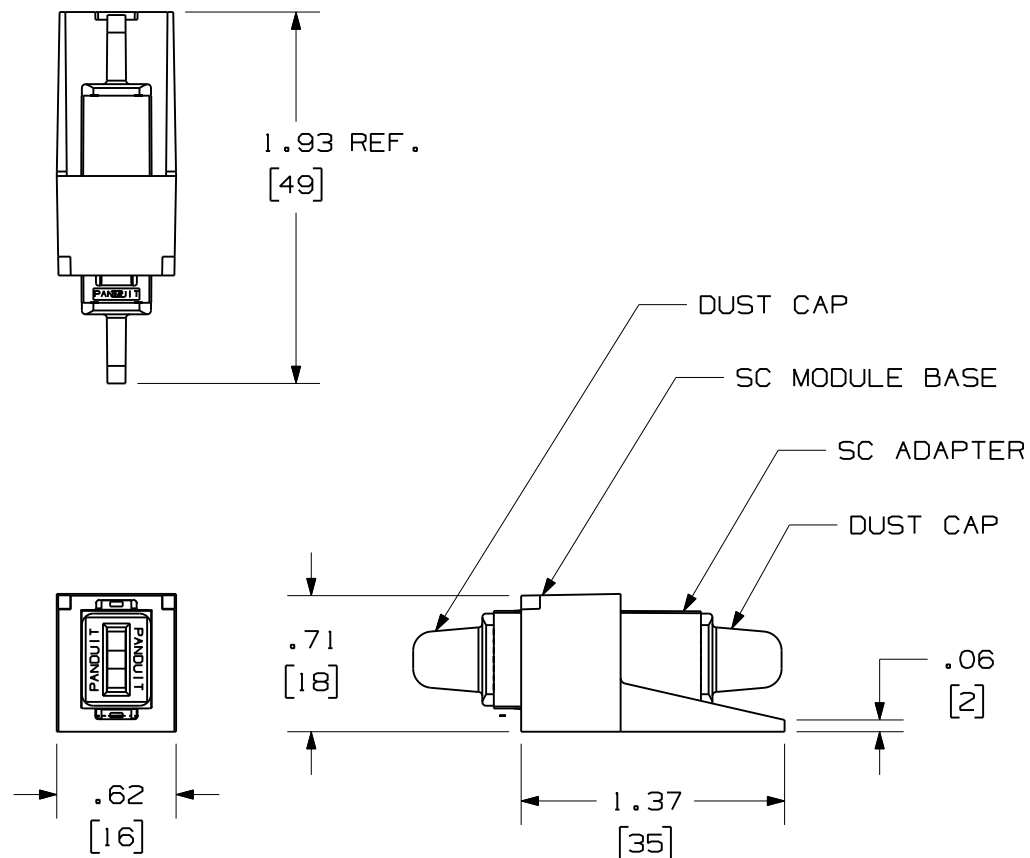


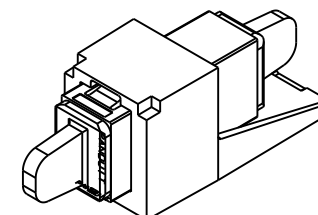
THIS COPY IS PROVIDED ON A RESTRICTED BASIS AND IS NOT TO BE USED IN ANY WAY DETRIMENTAL TO THE INTERESTS OF PANDUIT CORP.



| PANDUIT P/N | WEIGHT | SPLIT SLEEVE TYPE |
|-------------|--------------------------------------|-------------------|
| CMSAQSC** | 1.2 lbs/100 pcs (540.0 g/100 pcs) | PHOS BRONZE |
| CMSBUSC** | | |
| CMSEISC** | | |
| CMSAGSCZ** | 1.2 lbs/100 pcs (540.0 g/100 pcs) | ZIRCONIA |
| CMSAQSCZ** | | |
| CMSBUSCZ** | | |
| CMSEISCZ** | | |

NOTES:

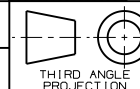
- SEE CURRENT CATALOG FOR PART NUMBER SUFFIXES TO INDICATE COLOR OF MODULE BASE, AND/OR PACKAGE QUANTITIES.
- SEE CATALOG FOR COMPLETE LIST OF PARTS APPLICABLE FOR USE WITH THIS PART.
- MATERIALS:
 - MODULE BASE: PLASTIC
 - ADAPTER HOUSING: PLASTIC
 - SPLIT SLEEVE: ZIRCONIA/PHOS BRONZE
 - INNER LATCH: POLYETHERIMIDE
 - DUST CAP: ELASTOMER
- COMPLIANT WITH TIA/EIA-604-3 (FOCIS-3) AND TIA/EIA-568B.3
- DIMENSIONS IN BRACKETS ARE METRIC [mm]



MINI-COM SIMPLEX SC ADAPTER MODULE
CUSTOMER DRAWING



PANDUIT™
CORP.
TINLEY PARK, ILL 60477



ALL DIMENSIONS ARE GIVEN IN INCHES
UNLESS OTHERWISE SPECIFIED.
DIMENSIONAL TOLERANCES ARE:
(.X) (.XXX) ± .010 (0.3)
(.XX) ± .03 (0.8) ANGLES

DRAWING FILENAME
MO1106BD_DC_00E.prt

SCALE
NONE

DRAWN BY
MC

REVIEW DRAWING NUMBERS

PART NO.
SEE TABLE

DATE
06-19-01

DRAWING NO.
01106-06

SIZE
A

CHK'D
PJ1

| REV | DATE | BY | CHK | DESCRIPTION | ECN | R | CUST | SUP | OTH |
|-----|----------|----|-----|------------------------|----------|---|------|-----|-----|
| 4 | 02-04-08 | MC | | RELEASED TO PRODUCTION | 01106-06 | | | | |